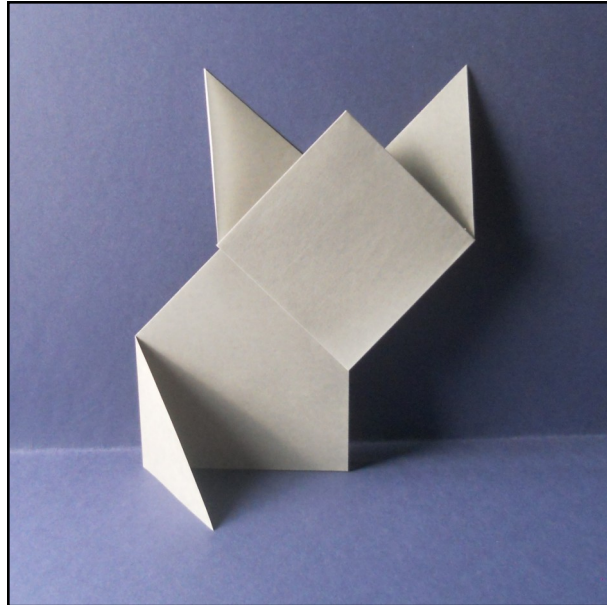


# Wolf Cub

Designed by David Mitchell

Wolf Cube is a very simple naive design which owes a large creative debt to the earlier design work of Paul Jackson and John Smith. It is a simple matter to alter the head to resemble other animals.

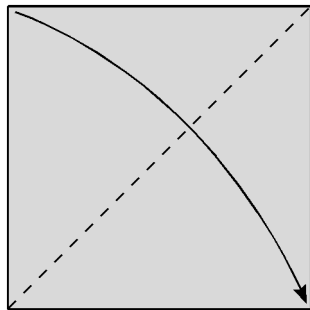
You will need two squares of paper of the same size, preferably in a wolf-like shade.



## Folding the head

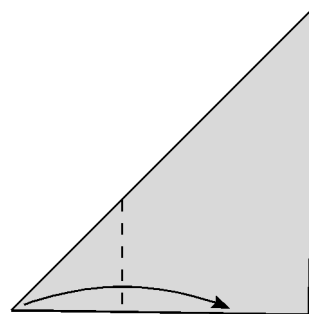
If you are using irogami begin with your paper arranged coloured side up.

1



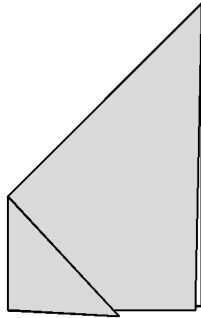
1. Fold in half diagonally.

2



2. Fold the left hand point across to the right as shown. Picture 3 shows what the result should look like.

3

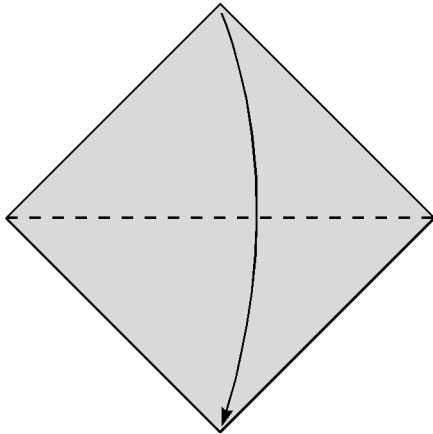


3. This is the result. Wolf Cub's body is

### Folding the head

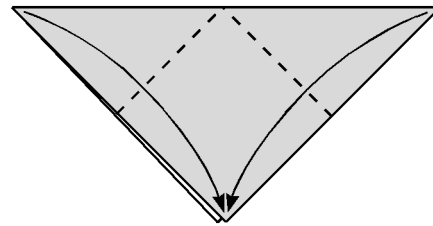
If you are using irogami begin with your paper arranged coloured side up.

4



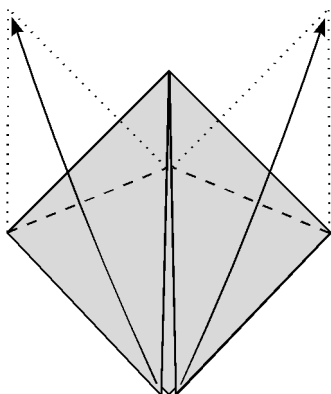
4. Fold in half diagonally from top to bottom.

5



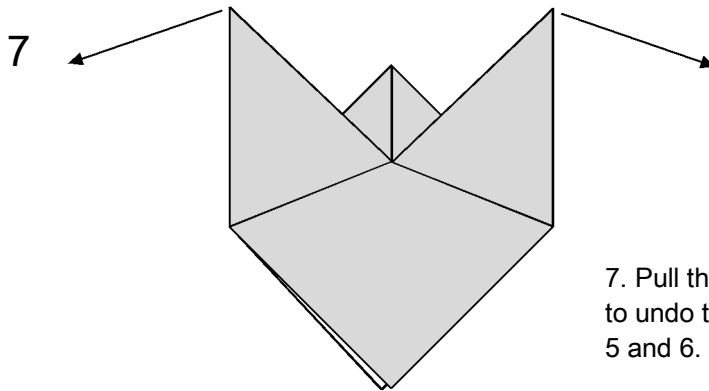
5. Fold both the top corners down to lie on top of the bottom corner. The next picture has been drawn to a larger scale.

6

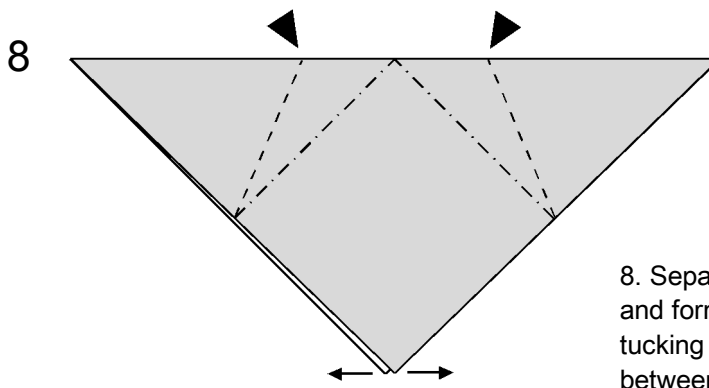


6. Fold the original top corners upwards as shown so that the edges lie vertically above the left and right hand corners. Picture 7 shows what the result should look like.

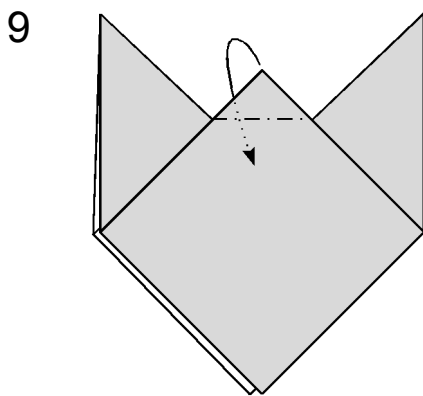
2



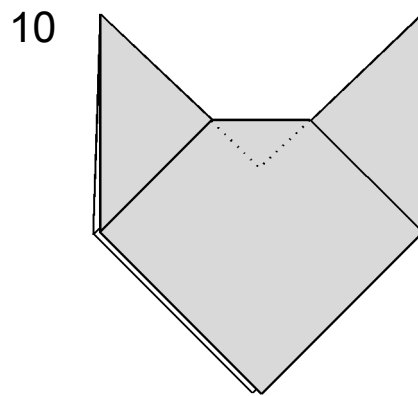
7. Pull the top corners outwards to undo the folds made in steps 5 and 6.



8. Separate the layers at the bottom and form the ears one by one by tucking the paper into a zigzag in between the layers of the head using the creases made in steps 5 and 6. Picture 9 shows what the result should look like.



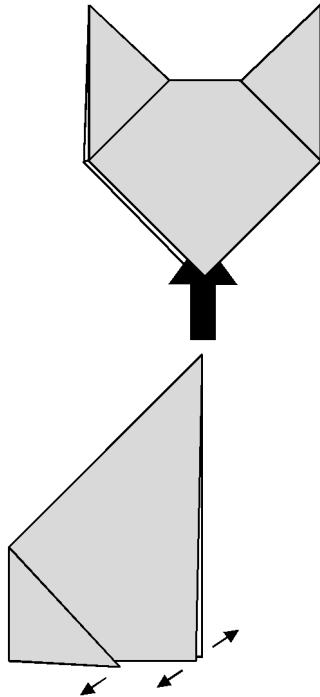
9. Fold the centre top point backwards to complete the head. Crease firmly.



10. The dotted line shows the position of the original centre top point which is now hidden behind the other layers of the design. Wolf Cub's head is finished.

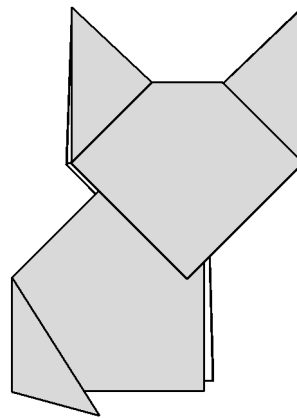
## Assembling Wolf Cub

11



11. Slide the body up inside the head. Sometimes the hidden layers of paper inside the head get in the way when you try to do this. If this happens open the head out slightly to help you sort things out. Once the two parts are assembled open out the tail and the right hand side of the body slightly so that Wolf Cub will stand.

12



12. Wolf Cub is finished.

Copyright David Mitchell 2015  
[www.origamiheaven.com](http://www.origamiheaven.com)