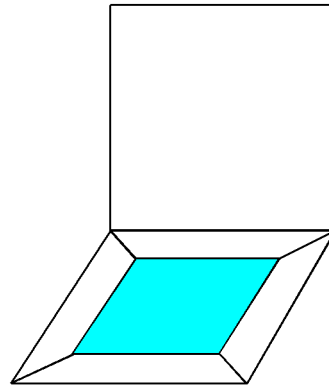


Handiloo and Handiloo for Lovers

Designed by David Mitchell

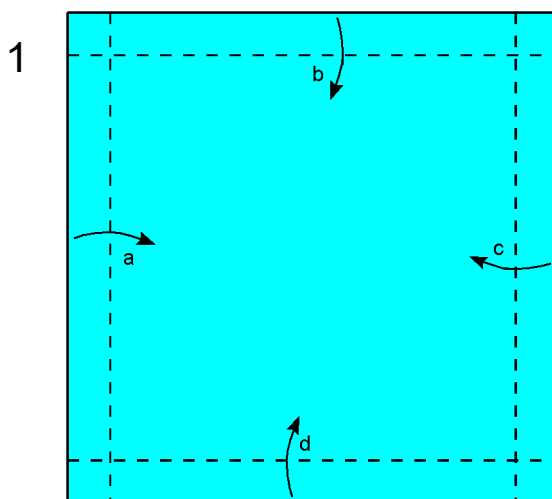
Handiloo and Handiloo for Lovers are part of a series of Origamidadas that I designed in 2002 at the request of my late friend Dorothy Engleman. They were originally published on her Origami Swami website under the pseudonym of Oliver Zachary sign. I have not experimented to see if these designs are of any practical use.



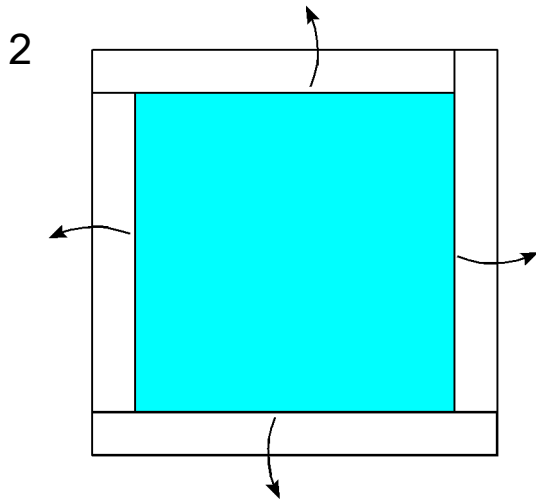
If you are interested in Origamidada you will find a link to a page devoted to this type of origami on the SAMS (Single and Multiple Sheet Designs) page of my Origami Heaven website.

Both designs can be made from a single square of paper. For best effect use blue/white irogami. It is probably best to avoid brown.

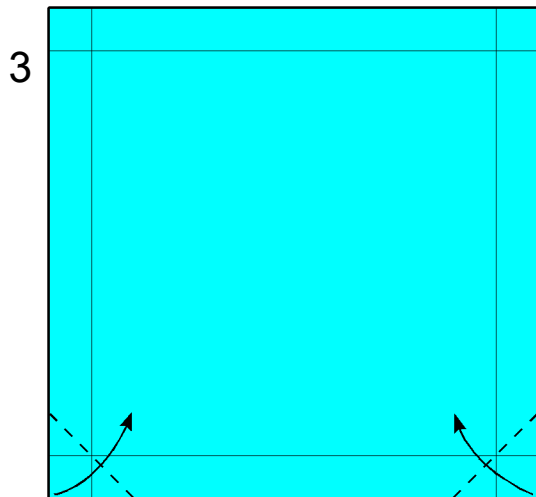
Handiloo



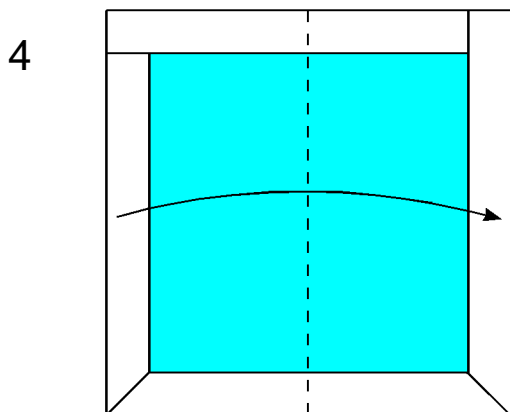
1. Fold each edge inwards in turn, working around the edges of the paper as shown. Make sure the width of paper folded inwards is more or less the same in all cases.



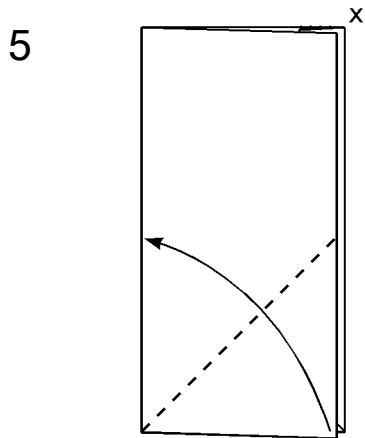
2. Open out the folds made in step 1.



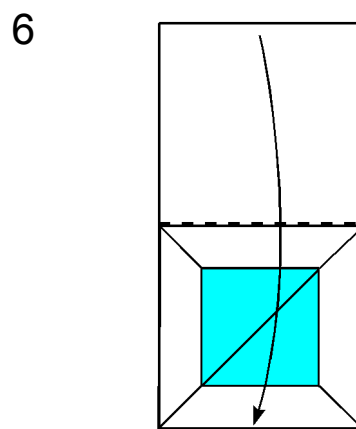
3. Make these two new folds then remake the folds made in step 1 in the same sequence as before.



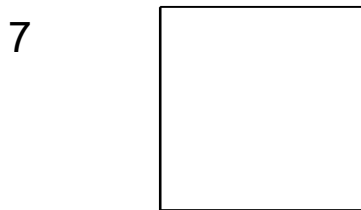
4. Fold in half sideways.



5. Fold the bottom right corner of the front layers diagonally to the left. Also interlock the internal flaps at point x.

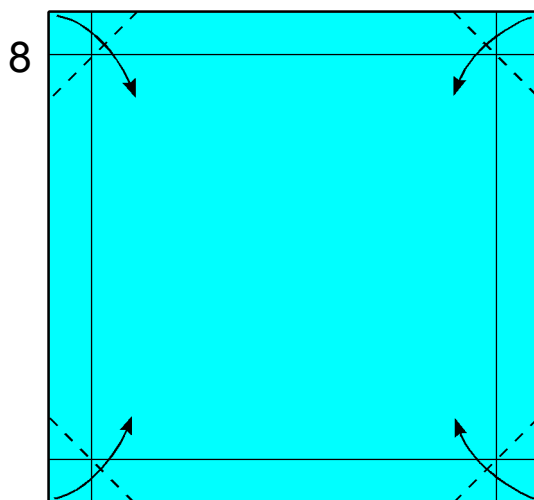


6. Fold in half downwards and store flat until urgently required.

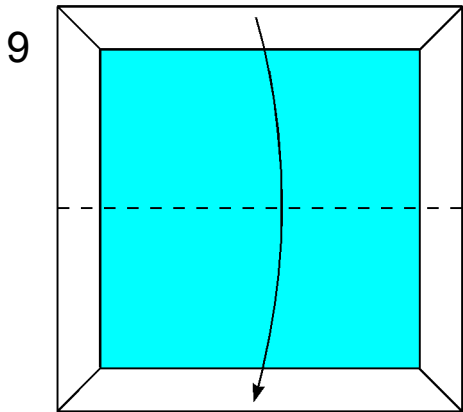


7. Handiloo is finished. Handiloo can be carried in a pocket or a handbag.

Handiloo for Lovers

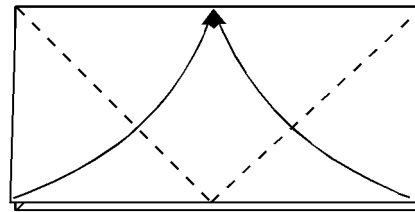


8. Begin by following steps 1 and 2 of Handiloo. Make these new folds then remake the folds made in step 1.



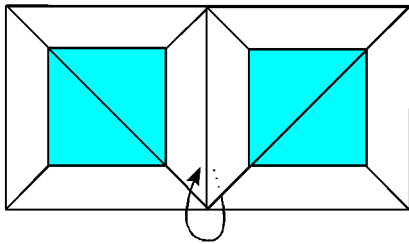
9. Fold in half downwards.

10



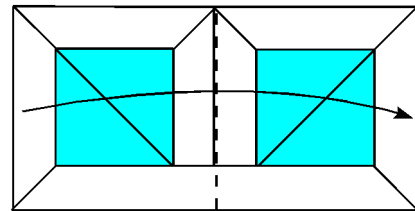
10. Fold both bottom corners of the front layers diagonally inwards as shown.

11



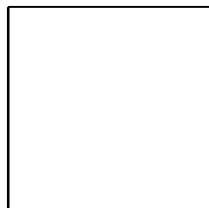
11. Bring the flap at the bottom to the front as shown.

12



12. Fold in half to store until urgently required.

13



13. Handiloo for Lovers is finished. Double the comfort, double the convenience.

Copyright David Mitchell 2016

www.origamiheaven.com