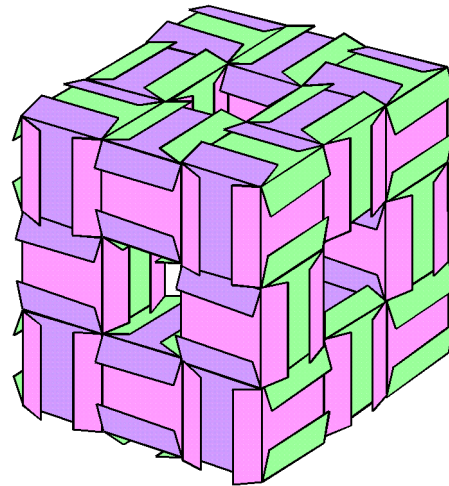


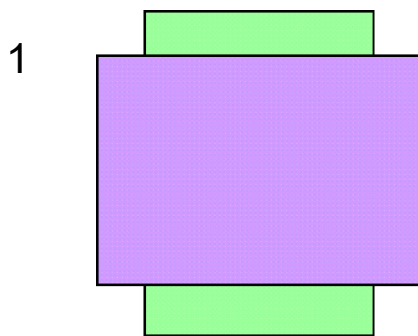
The Business Card Cube

The Business Card Cube is a traditional Western modular design that dates back to at least 1882. The cube can also be made from playing cards or cardboard tickets or from any other suitably sized pieces of light card. The difference in dimensions of the cards used will alter the size of the flaps but not the overall shape and structure of the cube. You will need six cards for each cube.

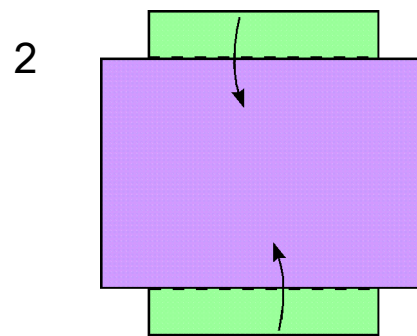


The 1882 diagrams were published in *The American Boys Handy Book* by D C Beard published by Scribner and can be viewed on the [Origami Unfolded](#) section of this site.

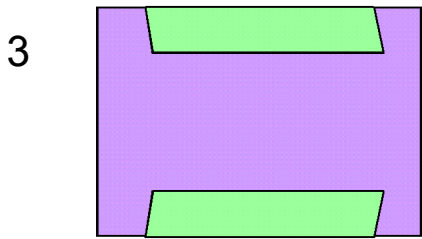
Business Card Cubes can be linked together by interweaving the external flaps. I believe that this was a discovery of Jeannine Mosely who has used this principle to built a depth three Menger Sponge.



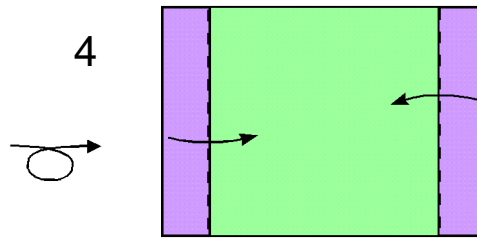
1. Arrange two cards like this so that the surfaces you want to show on the outside of the cube are touching each other face to face. Try to make sure that the cards are centred as evenly as possible.



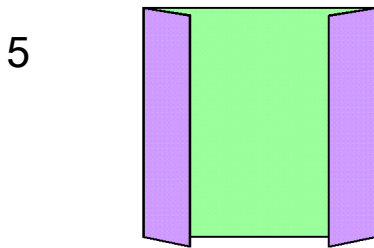
2. Fold the ends of the rear card tightly around the edges of the front card and crease firmly.



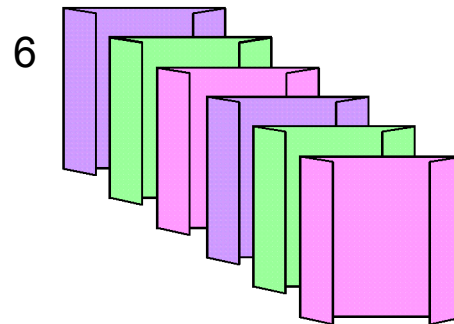
3. This is the result. Turn over sideways.



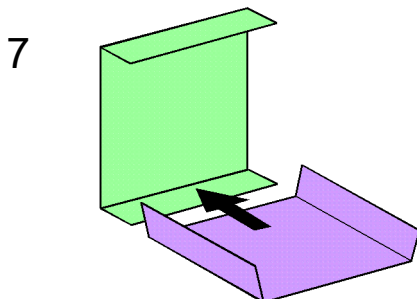
4. Fold the ends of the rear card tightly around the edges of the front card and crease firmly.



5. The cards should now be firmly locked together. Take them apart taking care to open out the folds as little as possible. (In the assembly diagrams many of the flaps have been shown in a slightly splayed position. This is to help make the pictures clear. You will get a better looking cube if you keep enough spring in the folds to hold the flaps tight against the faces of the cube.)

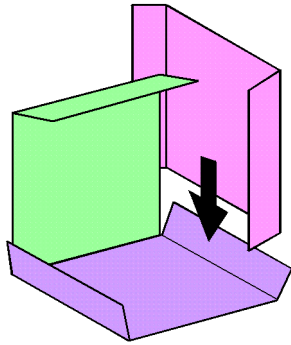


6. Repeat steps 1 through 5 on the other two pairs of cards.



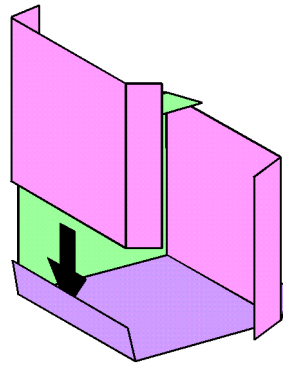
7. The first two cards slide together like this.

8



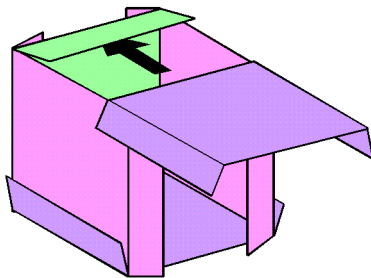
8. Add the third card of the third colour.

9



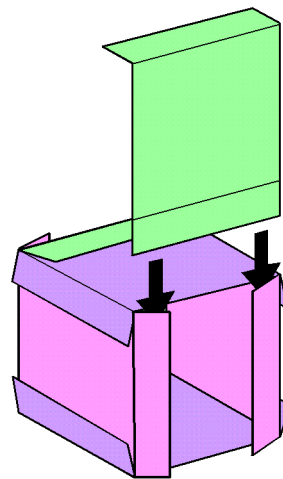
9. The fourth card goes in like this.

10



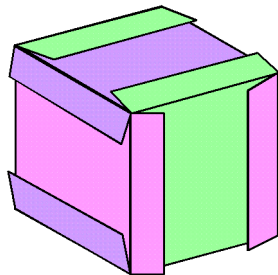
10. And the fifth like this.

11



11. Slide the sixth card into place to complete the cube.

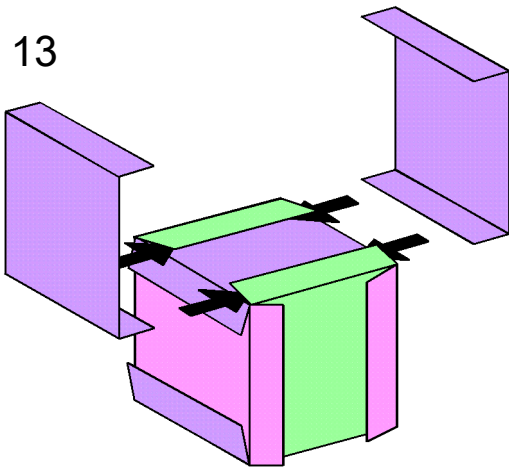
12



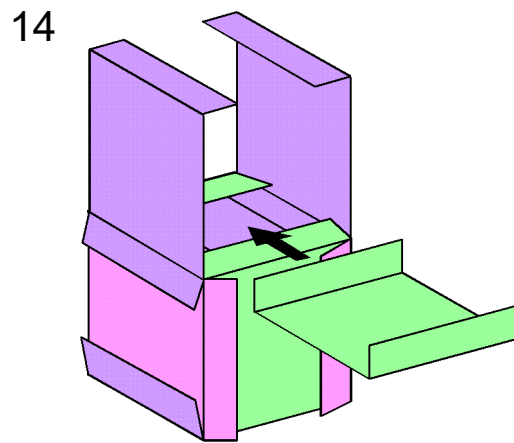
12. The Business Card Cube is finished

Building Business Card Cubes into lattices

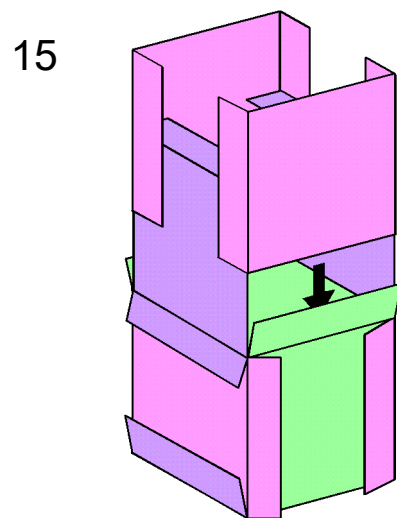
Pictures 13 through 16 show you how to build a second cube on top of the first. If you have enough cards and enough patience you can continue this process to create large lattices of integrated Business Card Cubes in this way.



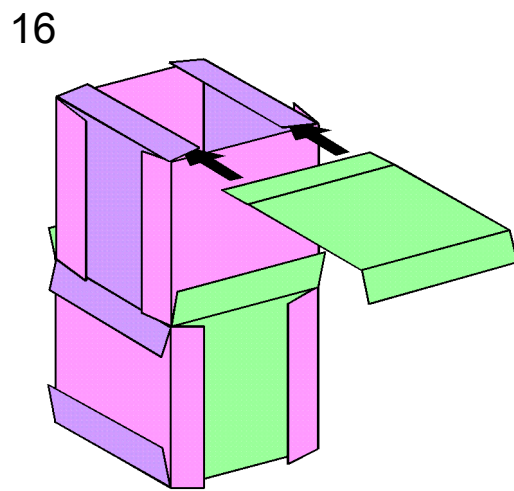
13. Add two more cards underneath the flaps of the existing cube.



14. Slide the third card into position.

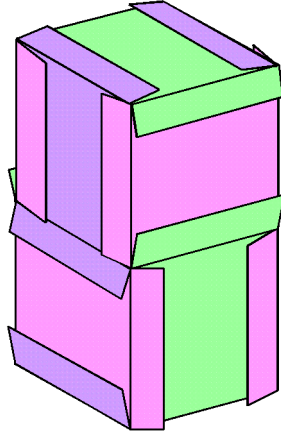


15. Add two more cards like this.



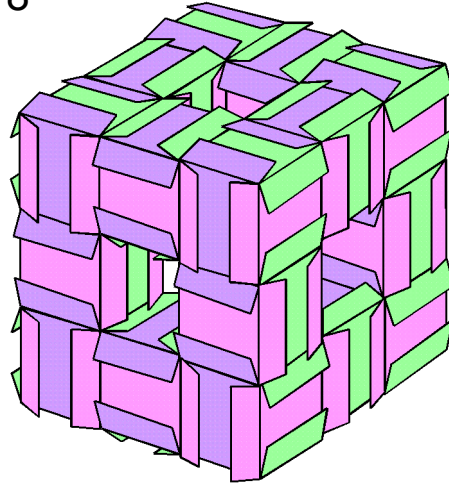
16. Slide the last card into place to complete the second cube.

17



17. Two cubes have been joined together. Further cubes can be added to any face in a similar way

18



18. This lattice is a depth one Menger Sponge. The only limit to the size of the structures you can create is the number of suitable cards you have available and your supply of patience.

Copyright David Mitchell 2016
www.origamiheaven.com