

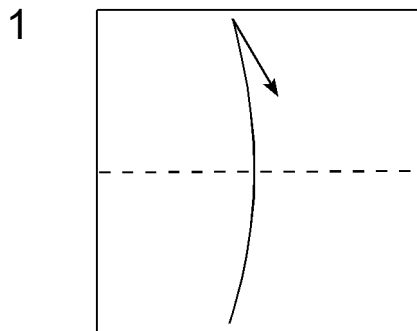
Also Comes in White

Designed by David Mitchell

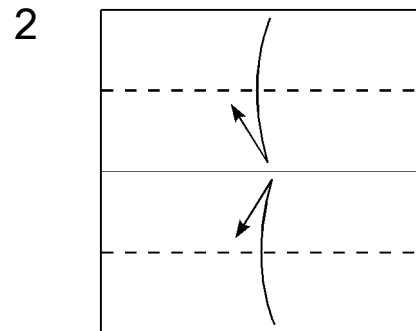
Also Comes in White is a simple two-sided double image design from 1999.

I also conceive of it as Summer House / Winter House.

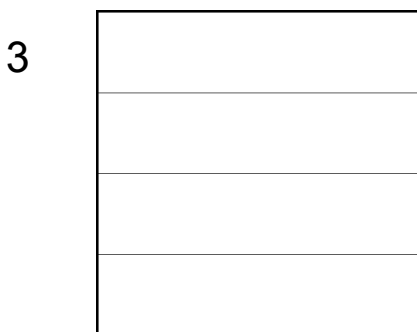
You will need a single square of irogami for the design and another square of the same size to act as a template to help you make fold 5 accurately.



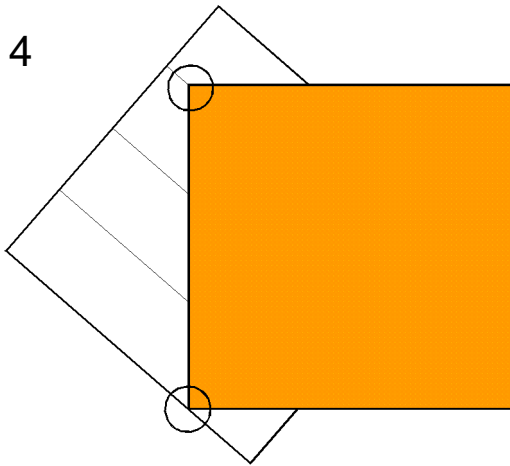
1. Fold the template square in half upwards, then unfold.



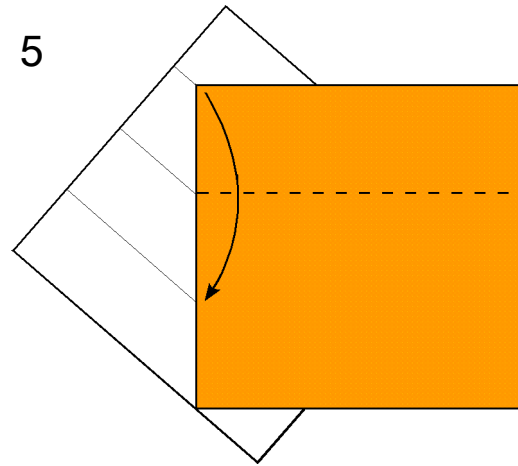
2. Fold both the top and bottom edges to the centre, crease, then unfold.



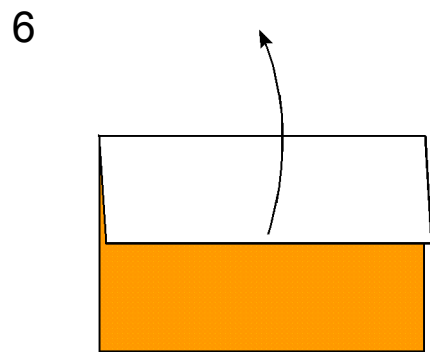
3. The template is finished.



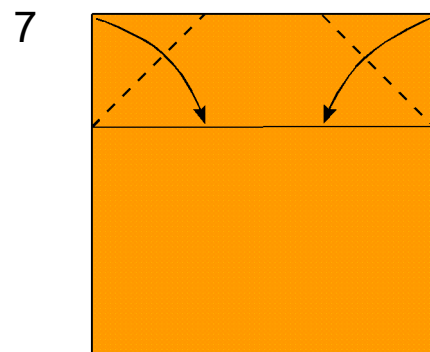
4. Lay the paper you are going to use for the design on top of the template coloured side up and line it up like this



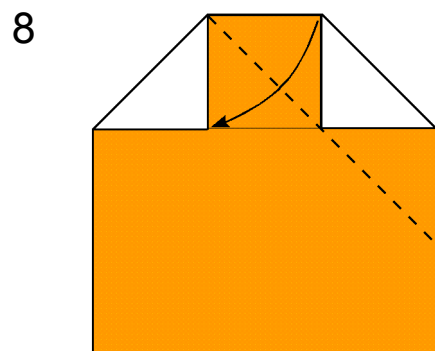
5. Fold the top edge downwards as shown. Make sure the two squares don't slip out of alignment as you do this.



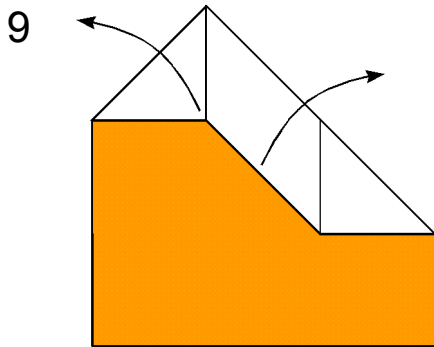
6. Remove the top square from the template and open out the fold made in step 5.



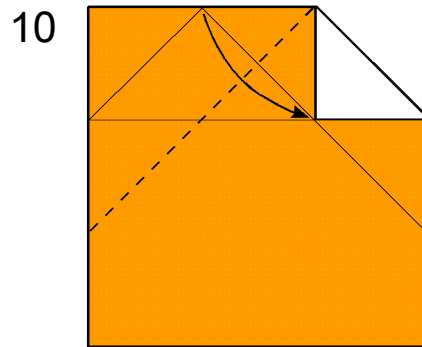
7. Fold both top corners inwards using the horizontal crease as a guide.



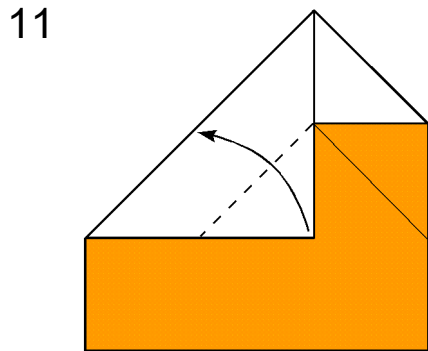
8. Fold the top right hand corner inwards so that the top edge butts against the side of the white triangle.



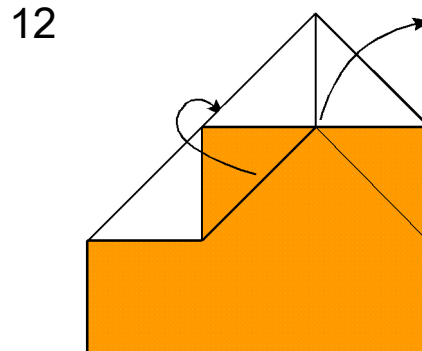
9. Open out both flaps.



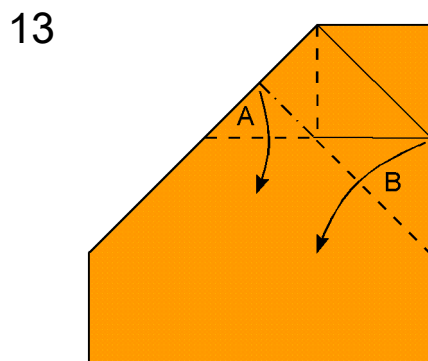
10. Fold the top left hand corner inwards as well.



11. This fold is made by reversing the existing crease.

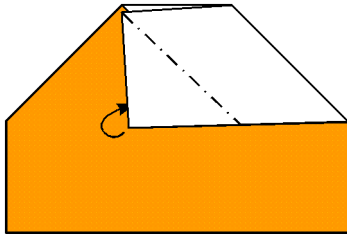


12. Swing both flaps to the back using the existing creases.



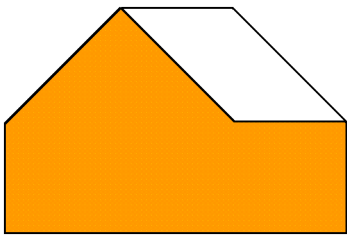
13. Make fold A then fold B. Picture 14 shows what the result should look like.

14



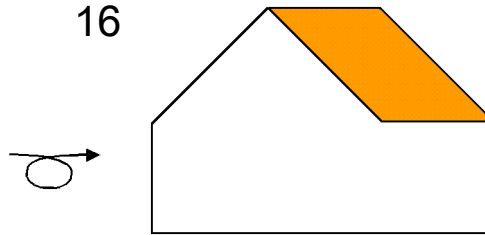
14. Tuck this flap into the pocket behind it to lock the layers together.

15



15. With a little imagination you can see this as a house with brown walls. Turn over sideways.

16



16. Also Comes in White.

Copyright David Mitchell 2018
www.origamiheaven.com